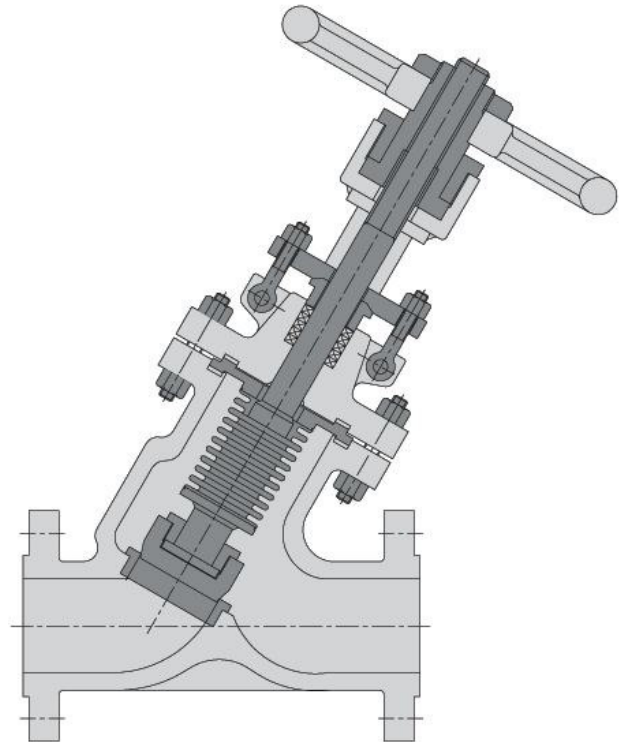
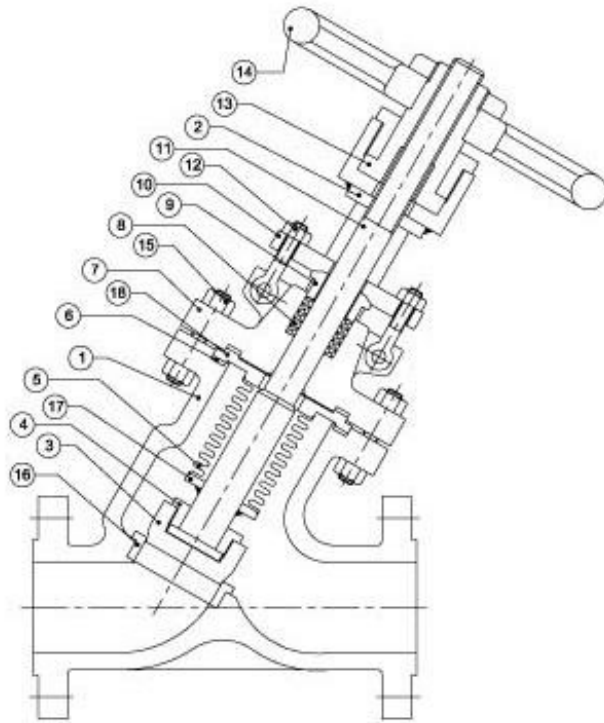


"Y - TYPE" BELLOW SEAL GLOBE VALVE



Sr. No.	PARTS	MATERIAL
1	BODY	A-216 Gr. WCB / A351 Gr. CF8/CF8M
2	GUIDE PLATE	AISI-410 / 304 / 316
3	PLUG	AISI-410 / 304 / 316
4	STEM NUT	AISI-410 / 304 / 316
5	BELLOW	AISI-321 / 316Ti/316 L
6	GASKET	SPW. SS-304 + PTFE/GRAFOIL
7	BONNET	A-216 Gr. WCB / A351 Gr. CF8/CF8M
8	PACKING	GRAFOIL/PTFE
9	GLAND BUSH	AISI-410 / 304 / 316
10	GLAND FLANGE	C.S. / AISI-304 / 316
11	STEM	AISI-410 / 304 / 316
12	EYE BOLT & NUT	C.S./AISI-304 / 316
13	YOKE SLEEVE	Ni.RESIST
14	HAND WHEEL	C.S. FABRICATED
15	FASTENERS	A193-B7, A194-2H/Gr.B8-Gr.8
16	SEAT RING	AISI-304 / 316
17	BOTTOM COLLAR	AISI-316
18	TOP COLLAR	AISI-31

TECHNICAL DATA

- Valve Designed to BS - 1873
- Valve Tested to API - 598 / BS - 5146
- Flanged Ends as per ANSI -B- 16.5
- Face to Face as per ANSI -B- 16.10

ACCESSORIES

- Pneumatic Actuators
- Electric Actuators
- Floor Columns
- By-Pass Piping

NOTES :

- Sizes above 250mm has Two Piece Bonnet
- Optional Stellite Plug & Seat
- Alternate Bellow Material:
HC-276/MONEL-400 / INCONEL-625

DIMENSIONS :

VALVE SIZES (INCH)	15	20	25	40	50	65	80	100	150	200	250	300	350	400	
FACE TO FACE	150 #	108	118	127	165	203	216	241	292	406	495	622	699	787	914
	300 #	153	178	203	229	267	292	318	356	445	559	622	711	838	965
FLANGE DIA.	150 #	89	98	108	127	152	178	191	229	279	343	406	483	533	597
	300 #	92	118	124	156	165	191	210	254	318	381	445	521	584	648
RAISED FACE DIA.	150 #	35	43	51	73	92	105	127	157	216	270	324	381	413	470
	300 #	35	43	51	73	92	105	127	157	216	270	324	382	413	470
FLANGE PCD.	150 #	60	70	79	98	121	140	152	191	241	298	362	432	476	540
	300 #	67	83	89	114	127	149	168	200	270	330	387	451	514	572
FLANGE THK.	150 #	11	13	14	18	19	22	24	24	25	29	30	32	35	67
	300 #	14	16	18	21	22	25	29	32	37	41	48	51	54	57
RAISED FACE THK.	150 #	1,6	1,6	1,6	1,6	1,6	1,6	1,6	1,6	1,6	1,6	1,6	1,6	1,6	1,6
	300 #	1,6	1,6	1,6	1,6	1,6	1,6	1,6	1,6	1,6	1,6	1,6	1,6	1,6	1,6
No. OF HOLES/ DIA.	150 #	4/16	4/16	4/16	4/16	4/19	4/19	4/19	8/19	8/22	8/22	12/25	12/25	12/29	16/29
	300 #	4/16	4/19	4/19	4/22	8/19	8/22	8/22	8/22	12/22	12/25	16/29	16/32	20/32	20/32