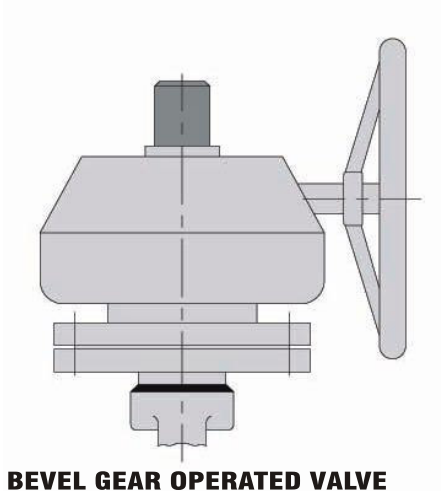
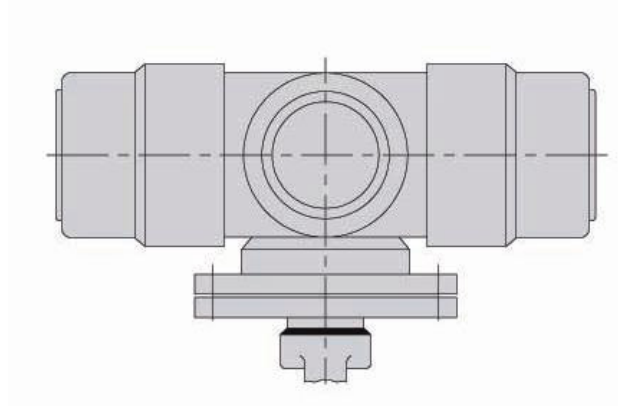


## OPTIONAL VALVE OPERATING ARRANGEMENT



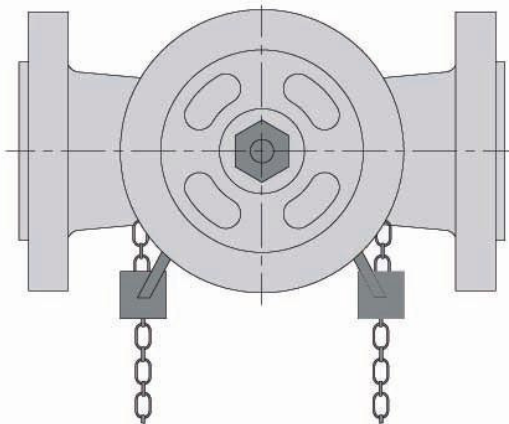
**BEVEL GEAR OPERATED VALVE**



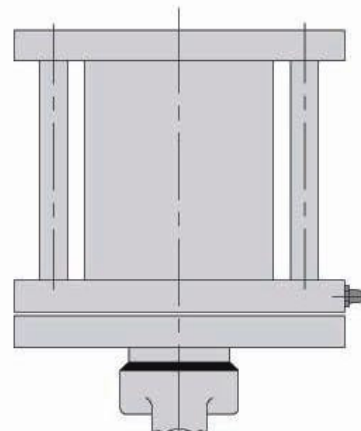
**ELECTRIC ACTUATOR OPERATED VALVE**



**OPTIONAL VALVE  
OPERATING  
ARRANGEMENT**



**CHAIN WHEEL OPERATED VALVE**



**PNEUMATIC ACTUATOR OPERATED VALVE**