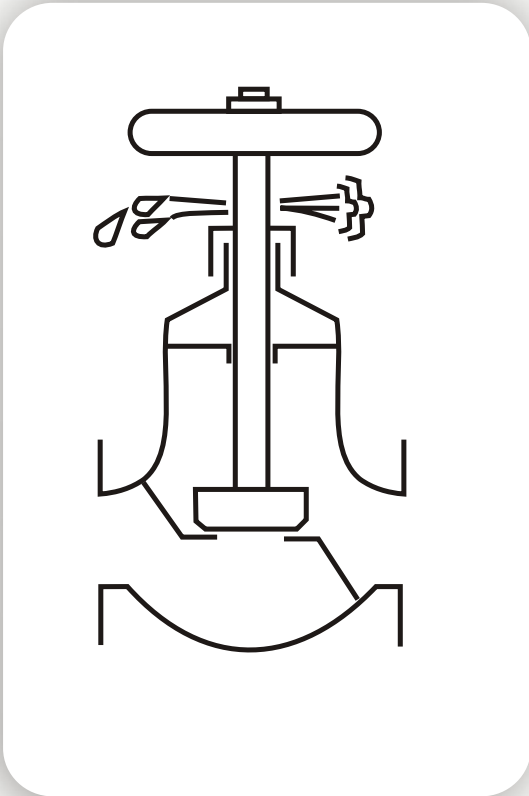
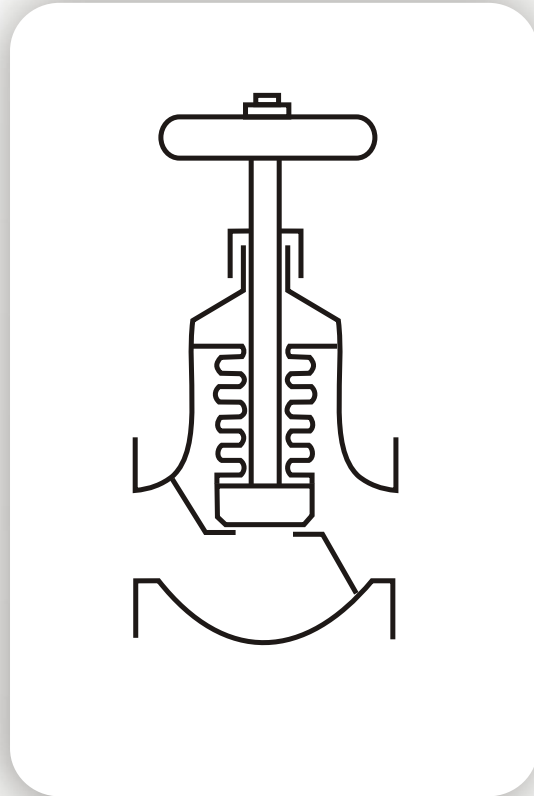


## WHY BELLOW SEALED VALVES?



ORDINARY VALVE  
(Observe Leakage Through Gland)



BELLOW SEALED VALVE  
(Gland Shut-Off With Metallic Bellows)

Leakage from the valve gland is often a problem for the maintenance engineer.

Losses incurred due to this type of leakage are considerable. For e.g. (in a 15 mm valve) Steam at a pressure of 150 psi escapes through a gland with a clearance of 0.001 in. at a rate of 25 lb/hr. This translates to a loss of approx \$ 1.2 /8-hr shift and \$1,100/yr.

A tiny drop of 0.4 mm diameter/sec results in a waste of about 200 l/yr of costly oil or solvent. That translates to a loss of approx \$1,200/yr of a commonly used heating fluid like Dowtherm. And all this for \$100 valve!!!

Apart from this high cost of energy and material loss, the leakage also results in serious environmental, ecological and containment problems. The leaking fluid can be corrosive, inflammable, explosive or poisonous. In any case, a check needs to be kept on all leaks.

A bellow sealed valve can be a simple solution to all these problems.